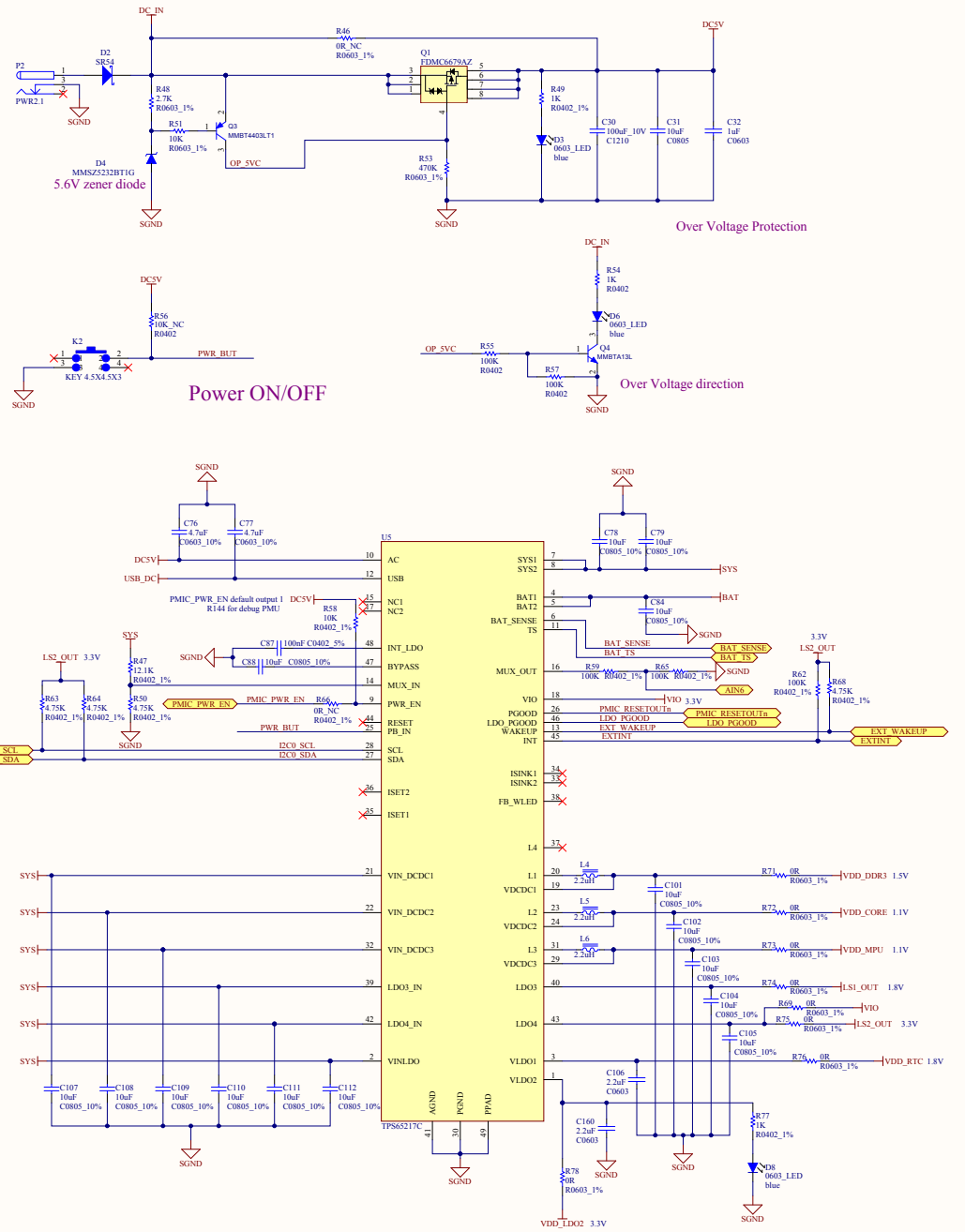
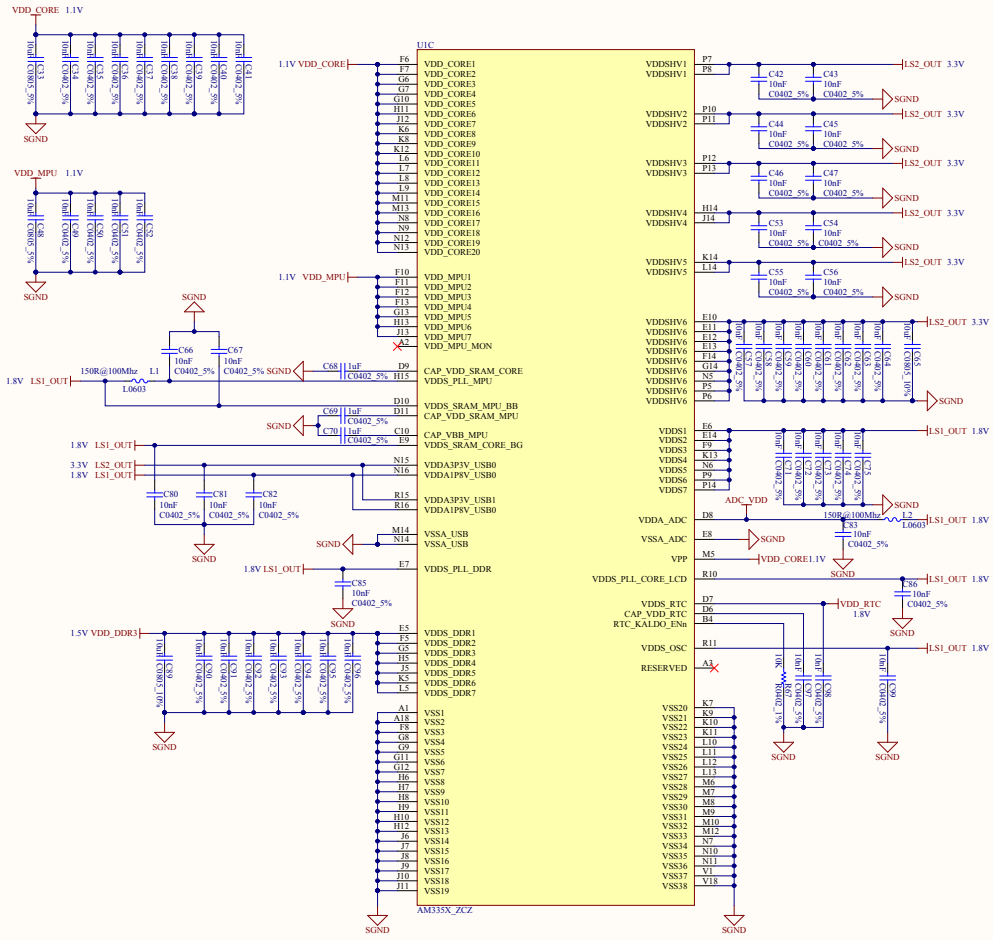


Title	C:\Users\AM355X\memory_SchDoc	
Size	A2	Number
Date	2014.5.19	Sheet of
File	C:\Users\AM355X\memory_SchDoc	Drawn By:



Title			
Size	Number	Revision	
A2			
Date:	2014.5.19	Sheet of	
File:	C:\Users\AM1335\POWER_SchDoc	Drawn By:	

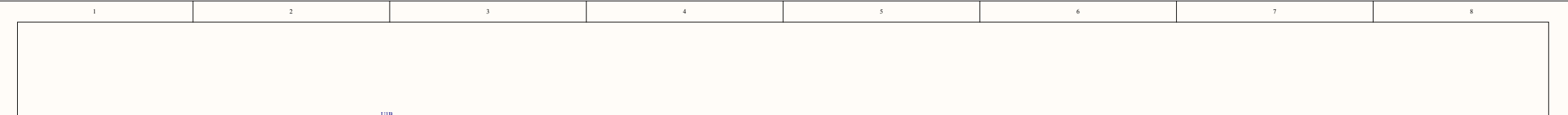
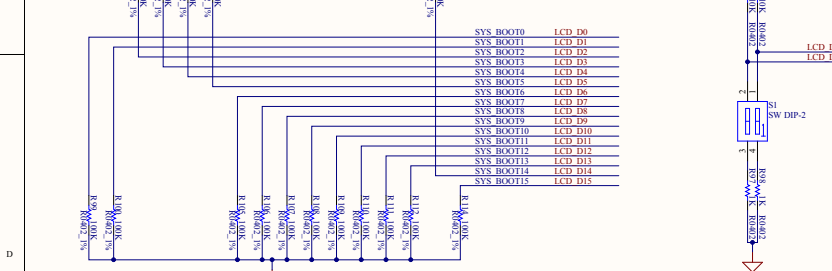
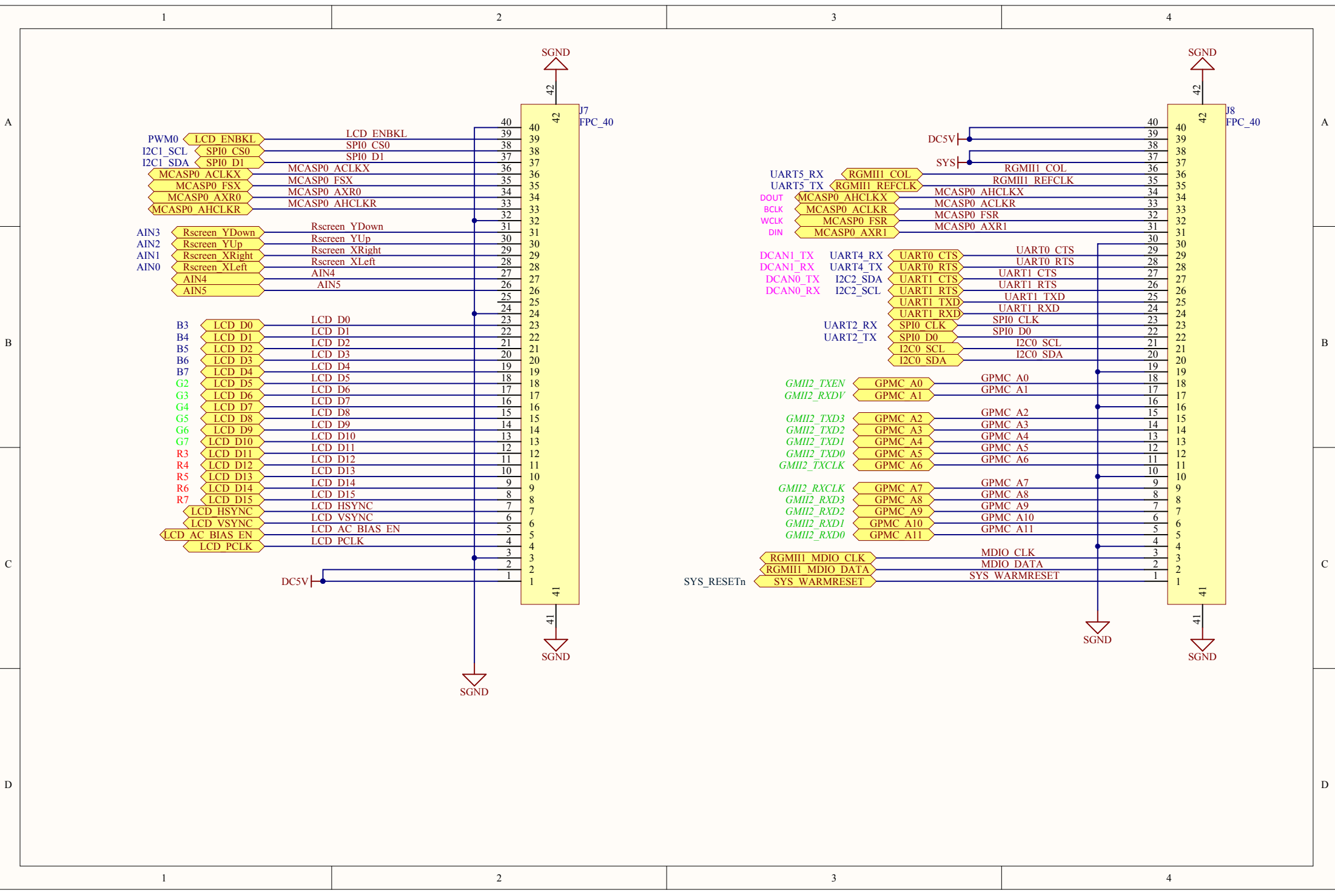


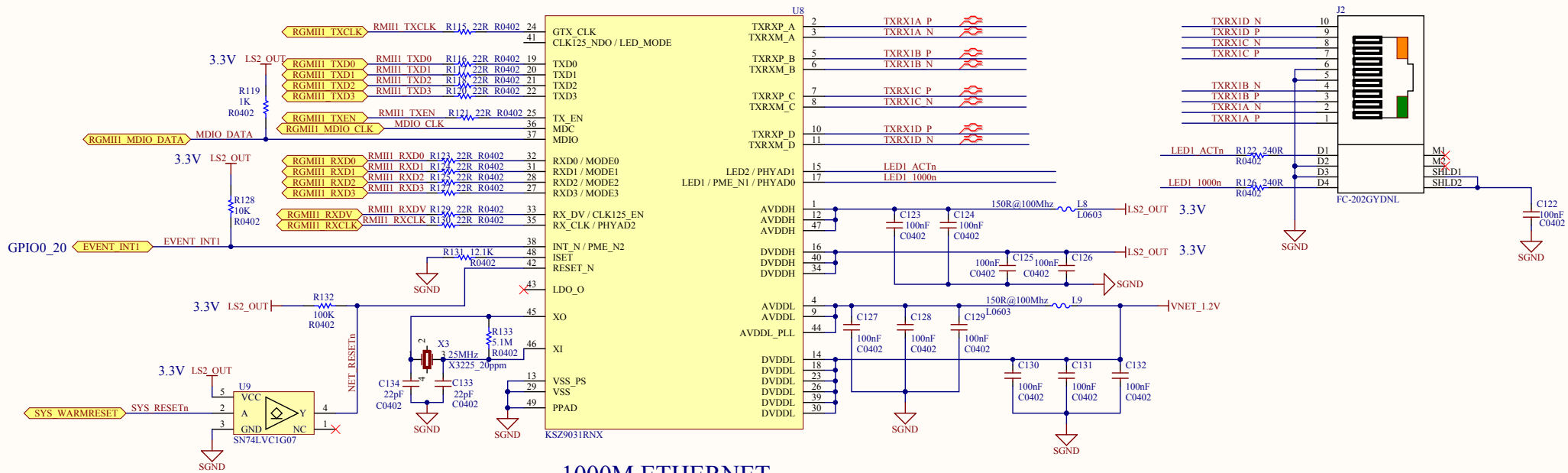
Table listing pin numbers and their functions. Includes sections for I/O, ADC, UART, USB, and HOST. Pin numbers range from 1 to 31.



SYSDSPBOOT[15:14]	[13:12]	[11:10]	[9]	[8]	[7:6]	[5]	[4:0]
00_19.2MHz 01_24MHz 10_25MHz 11_26MHz	00	00_non-mixed device 10_mixed device x1_reserved For NAND boot: must 00	0_ECC done by ROM 1_ECC handled by NAND	0_8bit device 1_16bit device	00_MII 01_RMI 10_RGMII w/ internal delay 11_RGMII w/o internal delay	0_CLKOUT disable 1_CLKOUT enable	1100_MMCI2 MMC0 UART0 USB0 10101_1020 MMC0 EMAC1 UART0 10101000 I2C0 SPI0 EMAC1

Boot Configuration
BOOT ORDER MMC1...MMC0...UART0...USB0 24M



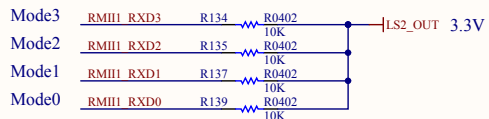


1000M ETHERNET

MODE Selection

Mode "1111" = 1000 BASE-T, RGMII

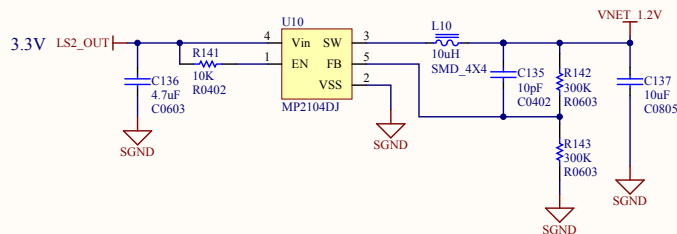
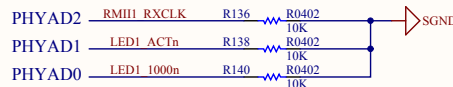
RGMII Mode – advertise all capabilities (10/100/1000 speed half/full duplex)



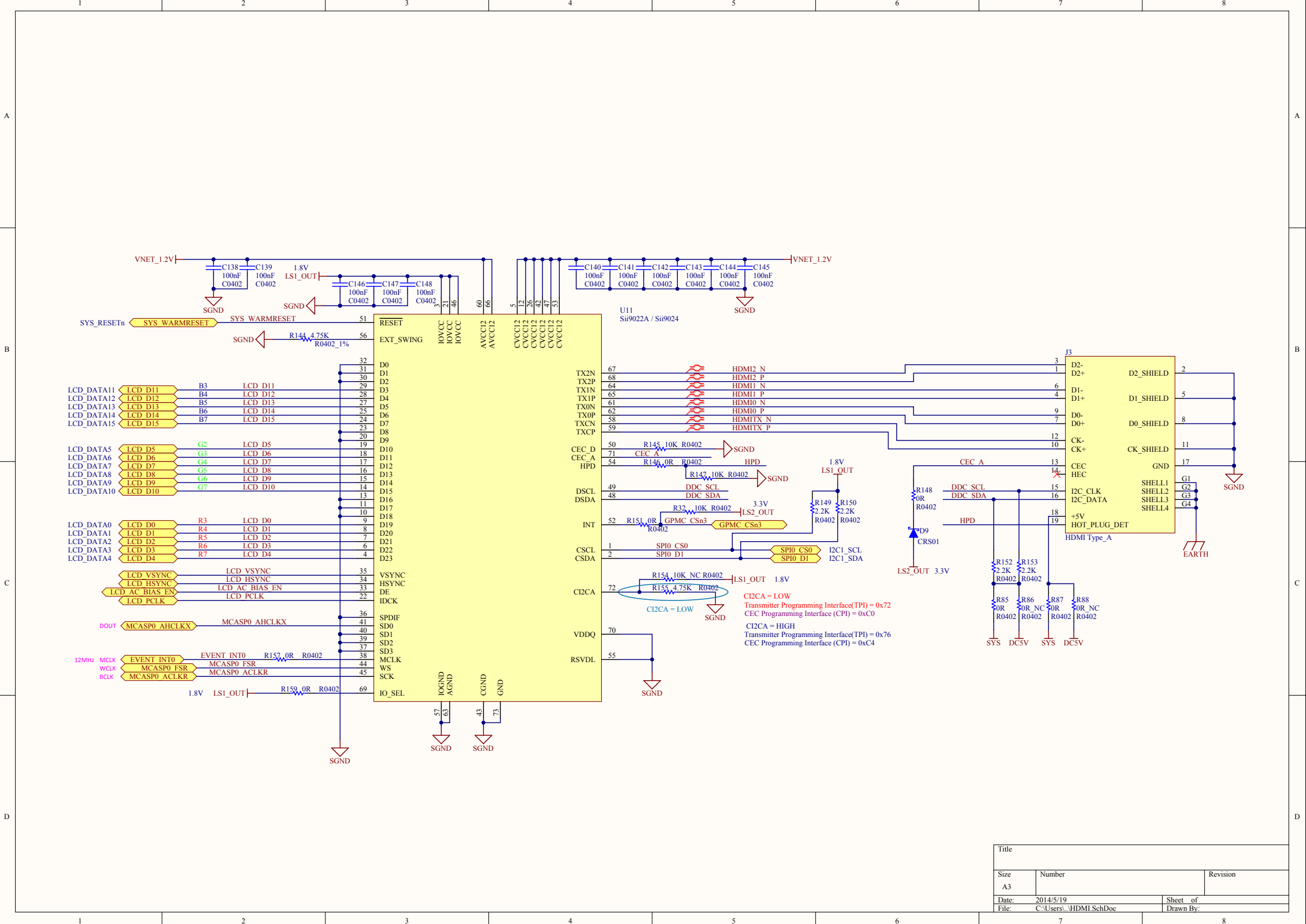
PHY Address

PHY_Address = 00000

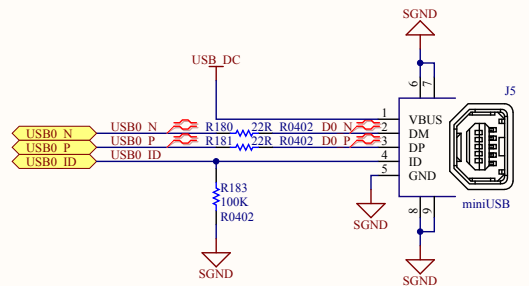
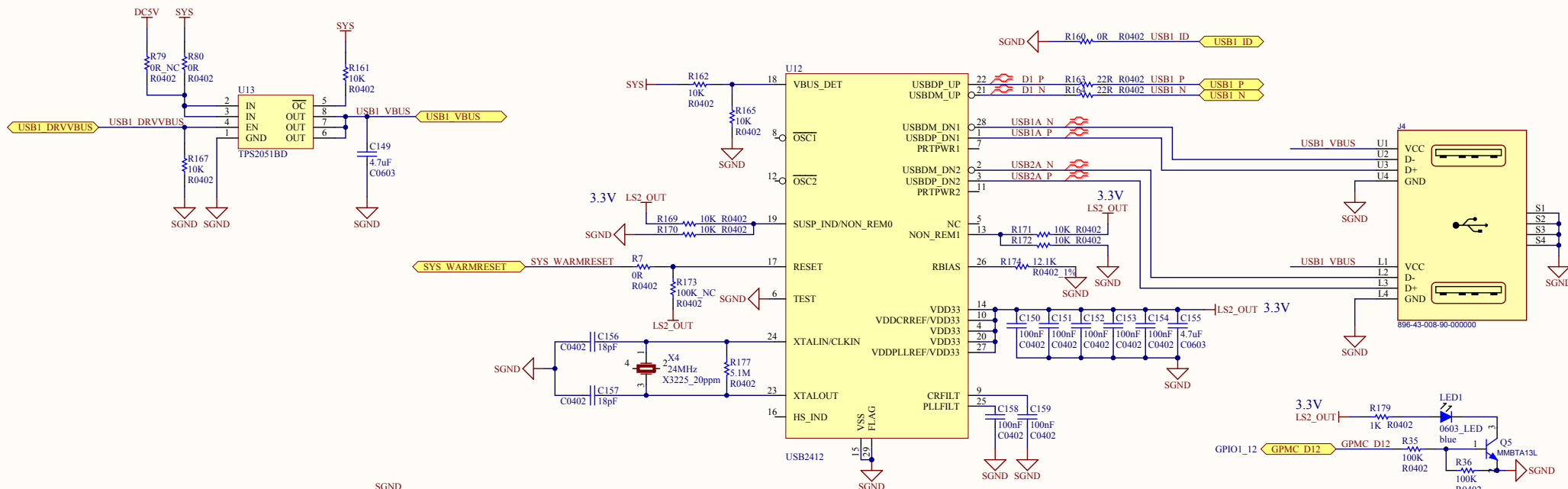
The PHY Address, PHYAD[2:0], is sampled and latched at power-up / reset and is configurable to any value from 0 to 7. PHY Address bits [4:3] are always set to '00'.



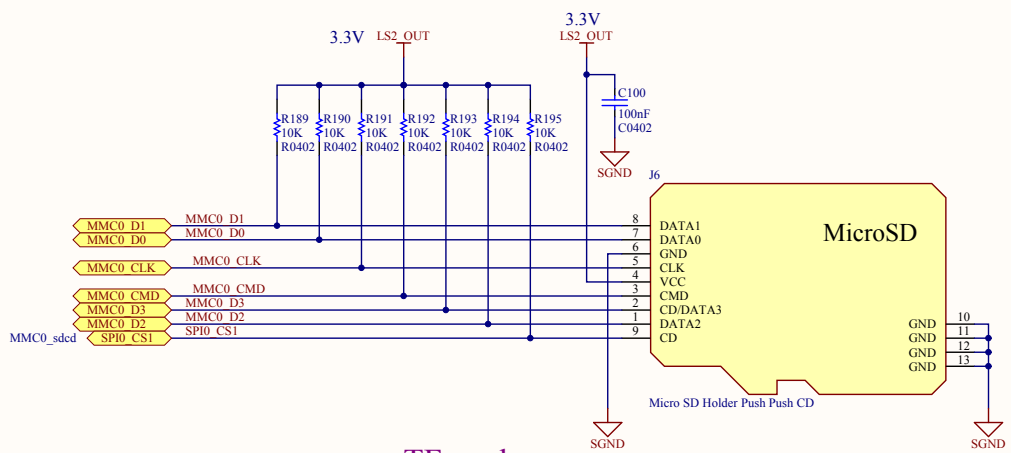
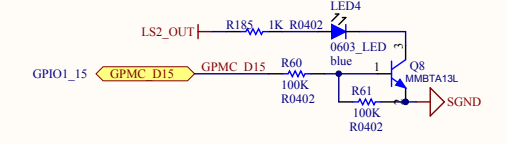
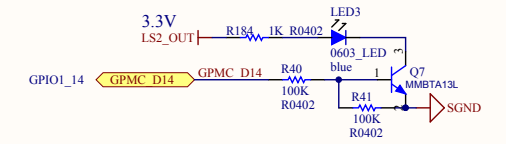
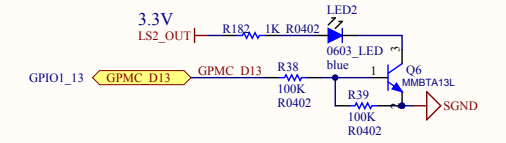
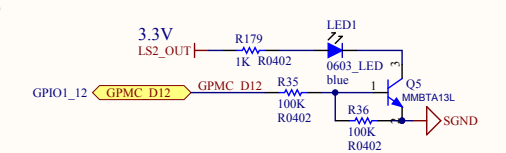
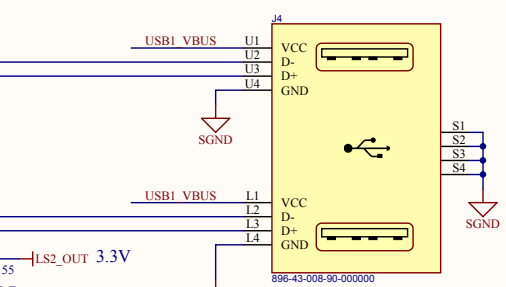
Title		
Size	Number	Revision
A3		
Date:	2014/5/19	Sheet of
File:	C:\Users\G Ethernet\SchDoc	Drawn By:



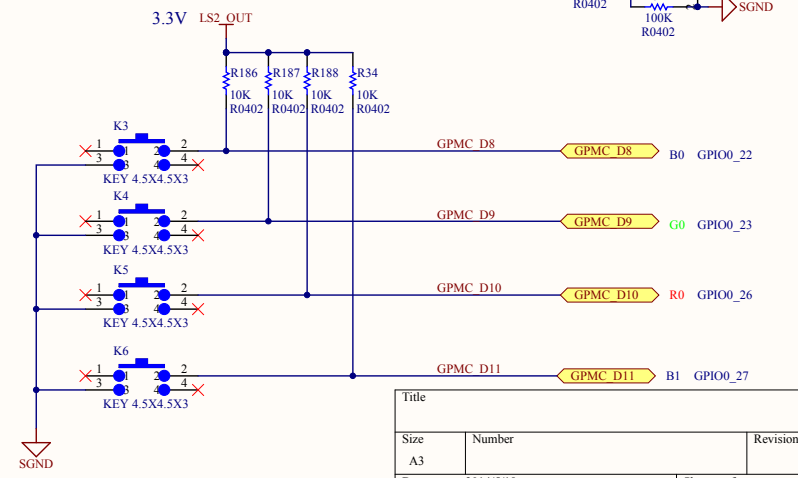
Title		
Size	Number	Revision
A3		
Date:	2014/5/19	Sheet of
File:	C:\Users\... \HDMI.SchDoc	Drawn By:



Device USB



TF card



Title		
Size	Number	Revision
A3		
Date:	2014/5/19	Sheet of
File:	C:\Users\...\USB.SchDoc	Drawn By: